

SLZ 1000 E

Cycle control:

Heidenhain MANUALplus 620 or Siemens 840D SolutionLine with user interface Operate with manual functions

Specifications and performance

Specifications

| SLZ 1000 E | Unit | Value |
|--|------|---------------------|
| Swing over bed | mm | 1.010 |
| Swing over cross slide | mm | 650 |
| Bed width | mm | 750 |
| Spindle head in accordance with DIN 55027 | size | 15 |
| Spindle bore \varnothing | mm | 130/530 (Option) |
| Spindle \varnothing in the front bearing | mm | 220/670 (Option) |
| Tailstock quill \varnothing | mm | 160 |
| Tailstock stroke | mm | 315 |
| Tailstock Morse taper | MK | 6 |
| Center distance | m | 1,0-20,0 |

Performance

| SLZ 1000 E | Unit | Value |
|-------------|-------|-------|
| Main drive | KW | 46 |
| Speed range | 1/min | 1-900 |

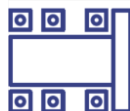
Dimensions

| | | |
|--------|----|---------------------------|
| Length | mm | 3.800 +Center Distance |
| Width | mm | 3.300 |
| Height | mm | 2.550 |

Please note:



Box-type bed design
750 mm bed width
and support guide at
the front

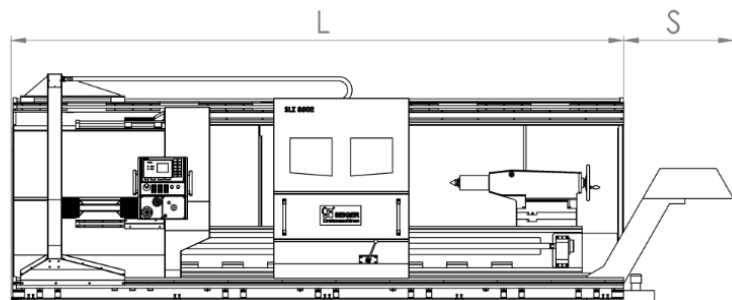
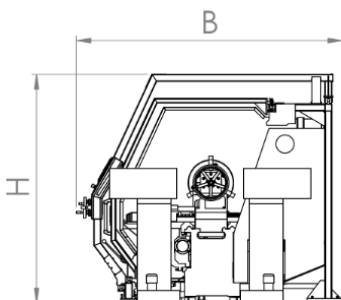


Headstock 3 bearing
points with radial and
axial bearings



Optimized paneling
concept for large chip
volumes

Plus control cabinet of approx. 500 x 2000 mm



Technical changes and errors excepted